



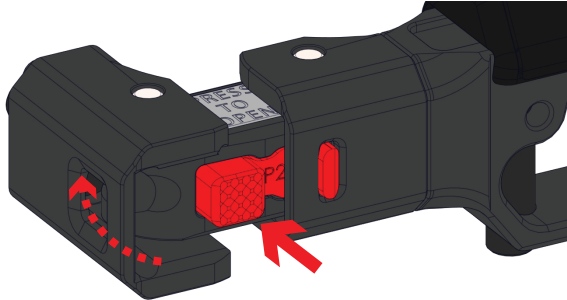
HAVE QUESTIONS OR NEED ADDITIONAL SUPPORT?	support@mdttac.com +1 (604) 393-0800
---	---

TOOLS REQUIRED

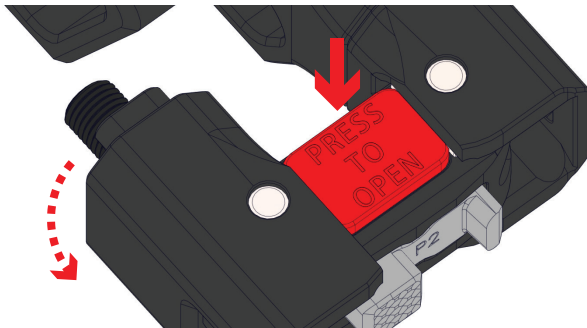
- 7/32 Hex Drive (Included)
- 1/8 Hex Drive
- 5/32 Hex Drive

FOLDING & UNFOLDING

1. To fold - push the side button and fold the first knuckle to 90°. Then push the button again and fold the second knuckle until the buttstock is fully stowed.



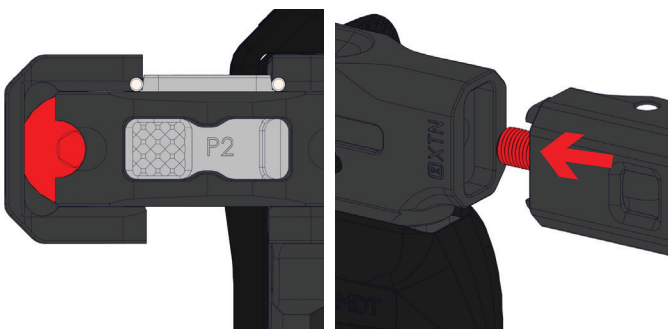
2. To open - Push the "Press To Open" button and fold the stock into the deployed position until the button and latch lock into place with an audible click. Tug on the buttstock to ensure it has fully locked in place before firing.



*The folding mechanism can be very tight and may require force to open and close when not installed.

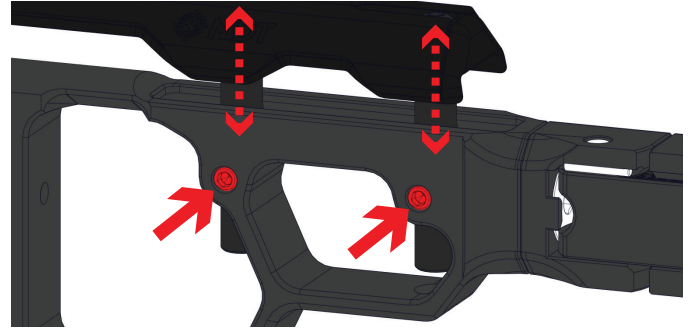
INSTALL TO CHASSIS

1. Put the buttstock in the folded position to expose the screw head inside.
2. Using the included 7/32 Hex Drive, tighten the screw to 40 in-lbs, or until snug and then 1/8 turn more.

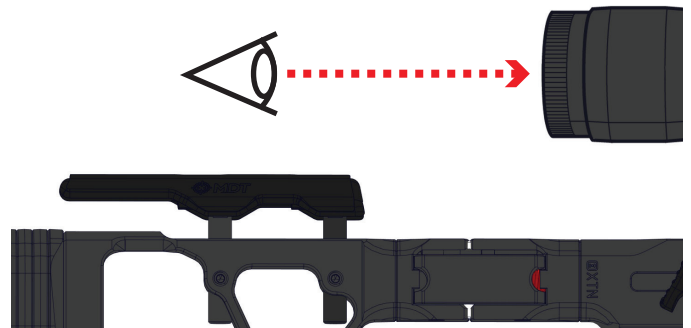


CHEEK RISER ADJUSTMENT

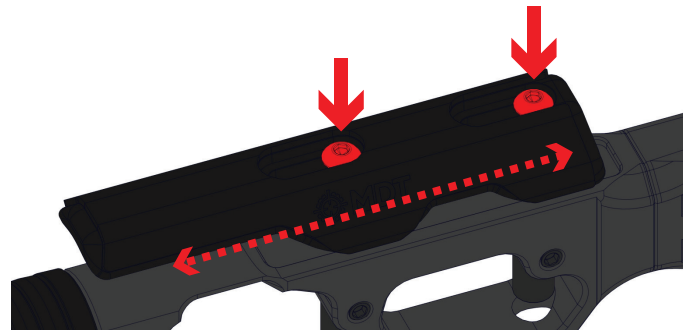
1. With the buttstock, chassis, rifle, and scope fully assembled, use a 1/8 Hex Drive to loosen the two set screws on the side of the buttstock.



2. Get into a comfortable position behind your rifle and look through your scope so that you have a clear sight picture.
3. Adjust the cheek riser up or down so that when your eye is aligned with the scope, your cheek rests comfortably on the cheek rest.



4. Once the ideal position is established, re-tighten the set screws until hand tight.
5. To adjust the cheek rest fore & aft, use a 1/8 Hex Drive to slightly loosen both of the screws on the top of the cheek rest. Slide the cheek riser into the desired position and re-tighten the screws hand-tight.





HAVE QUESTIONS OR NEED ADDITIONAL SUPPORT?	support@mdttac.com +1 (604) 393-0800
---	---

TOOLS REQUIRED

- 7/32 Hex Drive (Included)
- 1/8 Hex Drive
- 5/32 Hex Drive

FINDING YOUR LENGTH OF PULL (LOP)

1. To find your LOP, hold the chassis by its grip in your shooting hand. Bend your elbow 90° so the buttpad sits in the crook of your elbow. If the recoil pad touches the crook of your elbow without creating pressure, you have the correct length of pull.
2. If the buttpad does not fully touch the inside of your elbow, you will have to add spacers to the buttstock. Whereas if there is a lot of pressure, forcing your grip open, you will have to remove spacers.

LENGTH OF PULL (LOP) ADJUSTMENT

1. To add or remove spacers, use a 5/32 Hex Drive to back out the two screws on the rear of the buttstock. They do not need to be fully removed.



2. Increase the LOP by inserting spacers with the raised alignment tabs facing toward the muzzle end. Horizontally slide the spacer between the two screws and pivot them counter-clockwise to secure into place. Once you have the desired amount of spacers in place, tighten the screws until hand-tight.

***3 buttpad screws are provided. Make sure to use the correct size for the amount of spacers used.**

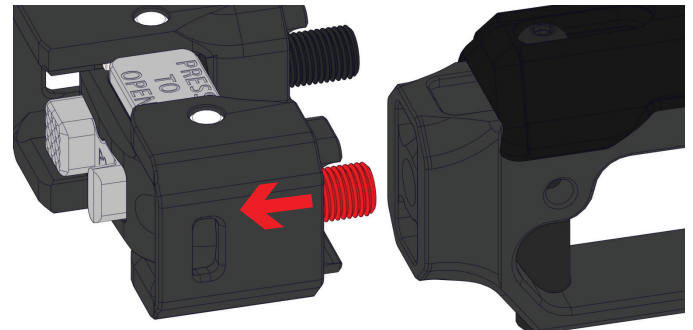
- **0-1 Spacers:** LOP 12.5" - 12.75"
 - Short Screw: #10-32x1.25"
- **2-3 Spacers:** LOP 13" - 13.25"
 - Medium Screw: #10-32x1.75"
- **3-4 Spacers:** LOP 13.25" - 13.5"
 - Long Screw: #10-32x2.0" (Preinstalled)

M-LOK SLOT

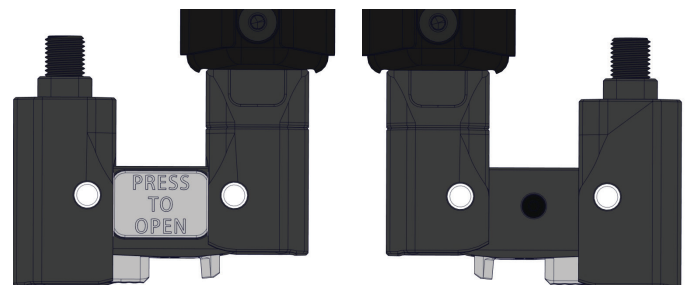
1. There is an M-LOK mounting slot on the bottom of the buttstock. This can be used to attach M-LOK accessories such as bag riders. Refer to the accessory manufacturer for instructions on how to insert or remove the hardware.

REVERSING FOLDING MECHANISM

1. To change the direction that the folding mechanism folds, make sure the buttstock is in the folded position and detached from the chassis.
2. Using the included 7/32 Hex Drive, loosen the screw connecting the mechanism to the buttstock until they come apart.



3. Flip the folding mechanism so that the "Press To Open" button is either on the top or bottom. Button on top folds to the right, button on bottom folds to the left.



4. Reinstall the folding mechanism to the buttstock and tighten the screw to 40 in-lbs.

***If installed to an MDT ESS Ruger American Chassis OR if the bolt handle contacts the rear of the buttstock when folded, install the folding mechanism with the longer side connected to the buttstock.**

QD SLING MOUNT

1. QD Sling Mounts on both the left and right sides of the buttstock. These can be used with "Quick Detach" (QD) type mounting hardware on slings. Refer to the sling manufacturer for instructions on how to insert or remove the hardware.