

## MDT Bolt Knob

V1.0 November 2020



### MDT Bolt Knob

Thank you for choosing this high quality MDT accessory. The MDT Bolt Knob offers superior styling, grip and ergonomics for your bolt action rifle, providing faster cycle times and overall better feel. The specialized soft-touch polymer sleeve provides a rigid yet tactile surface to reduce hand slippage and feel warmer in colder weather.

The MDT Bolt Knob comes in two styles that are compatible with a large variety of bolt action rifle models. The screw-on style uses a 5/16"-24 female threaded knob that can be fastened to any bolt handle that includes a 5/16"-24 male thread on the end. The second style is a clamp-on knob that can be installed over top of the existing factory bolt knob.

**CAUTION:** AVOID RESTING OR HITTING THE BARREL AGAINST ANY SURFACE WHILE HANDLING THE ACTION, STOCK, AND CHASSIS AND ALWAYS ALWAYS MAKE SURE YOUR RIFLE IS SAFE AND CLEARED BEFORE WORKING ON IT.

## Installation

**Tools needed:** Screw-on Version: 1/16" Hex Key.

Clamp-on Version: Phillips Head Screwdriver, Hammer

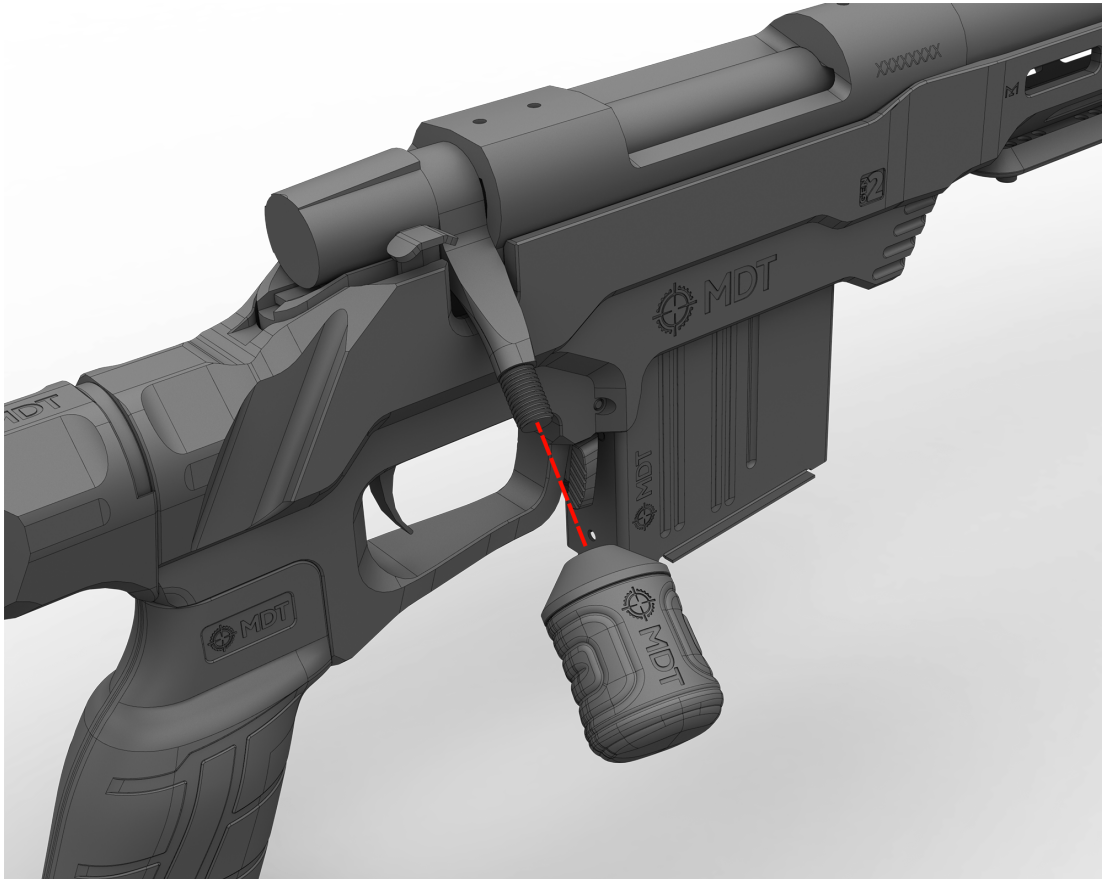
## Pre-Installation

**WARNING** – if you do not feel comfortable installing the MDT Bolt Knob yourself, it is advisable to consult a gunsmith for assistance.

1. Ensure that the firearm is unloaded.
2. Remove the magazine.
3. *Optional - Remove the bolt and fasten it in a vice with the bolt knob in an accessible position.*

## Installing the Screw-on MDT Bolt Handle

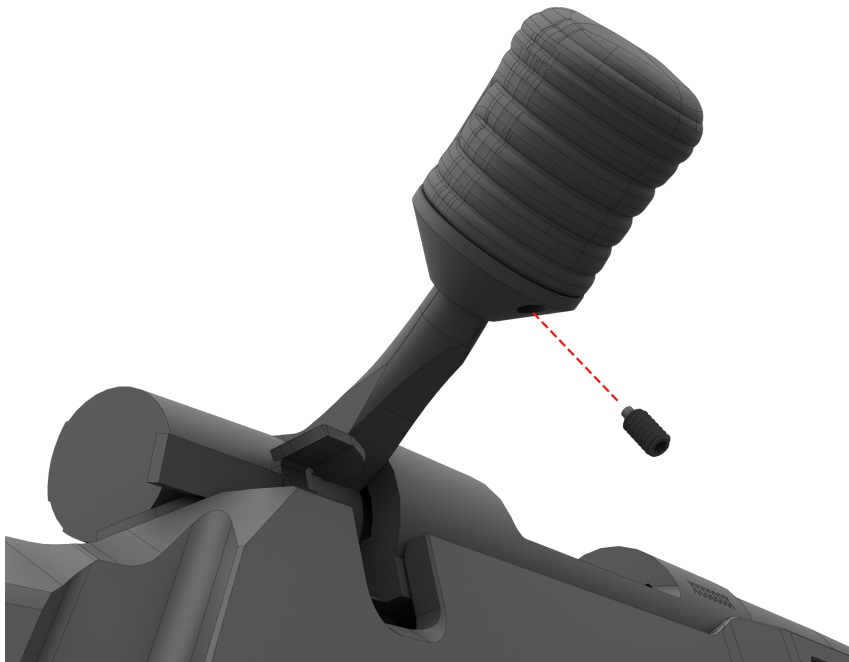
1. Unscrew the factory bolt knob off the bolt handle and set aside.
2. Screw the MDT Bolt Knob onto the bolt handle all the way on until it touches, do not tighten.



3. Rotate the bolt knob counterclockwise until the MDT logo is facing upwards.

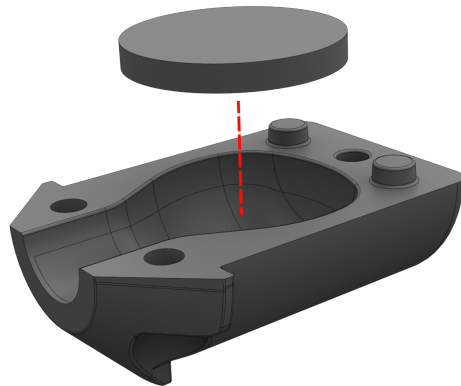


4. Using a 1/16" Hex Key, install and tighten the brass tipped set screw in the threaded hole on the underside of the bolt knob, securely fixing the bolt knob in place.

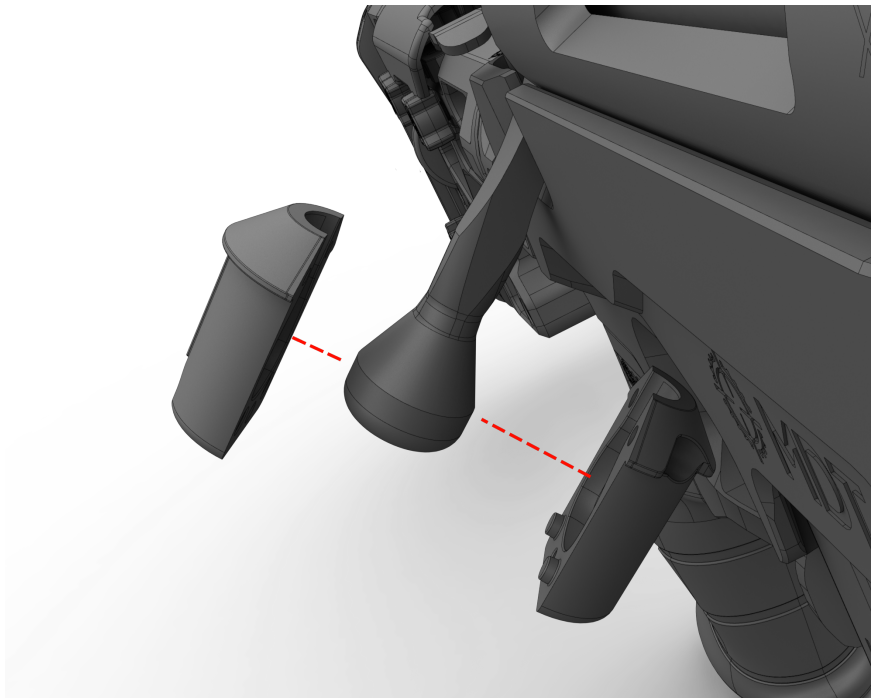


## Installing the Clamp-on MDT Bolt Handle

1. Using the provided foam pads, press one in each of the bolt knob insert cavities. Press them into the center so the foam pad edges do not extend out of the cavity.

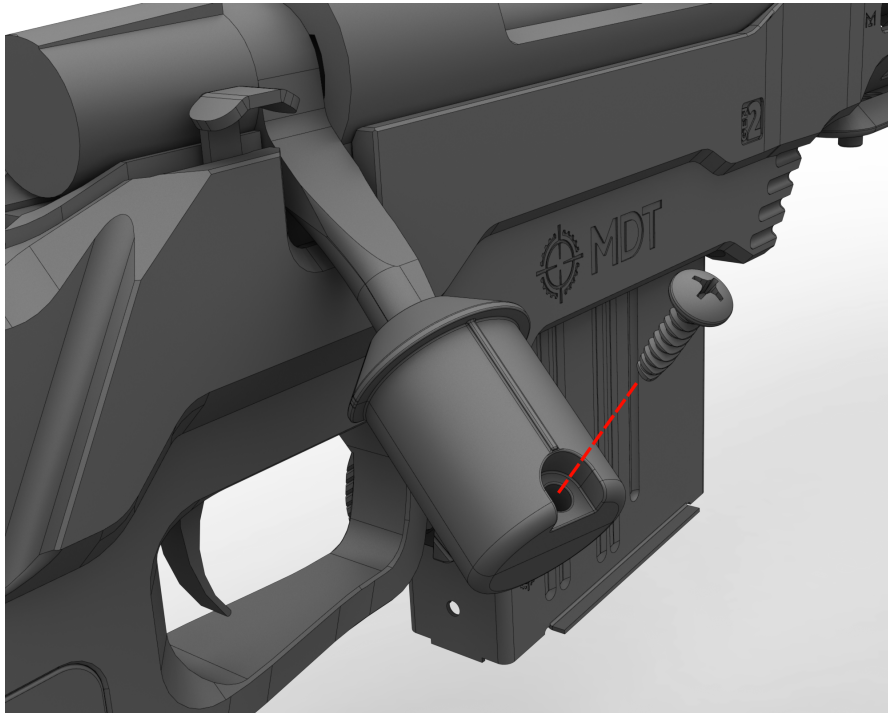


2. Sandwich and hold the two polymer insert halves over top of your existing factory bolt knob. It is important that the insert half with the single center screw hole furthest from the rifle is facing upwards.

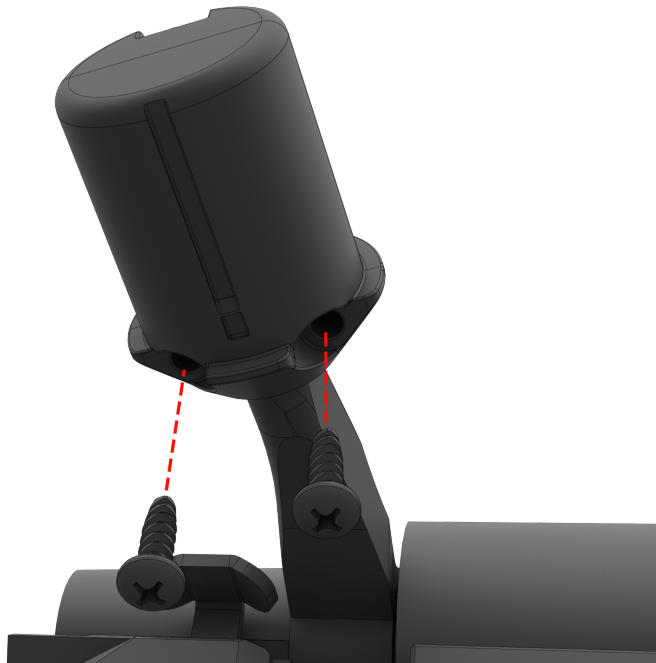




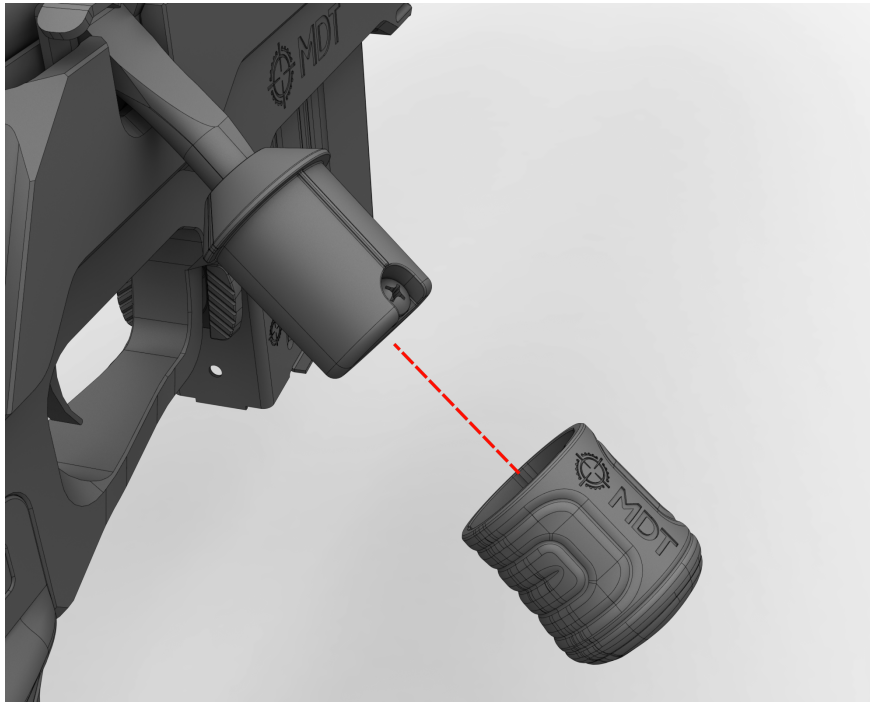
3. While holding in place or using a small clamp to hold the halves together, fasten the 6-32 x 0.5" thread forming screw into the upward facing single center hole using a Phillips head screwdriver. **ONLY TIGHTEN THE SCREWS UNTIL THE TWO HALVES TOUCH.**



4. Turn to the underside of the bolt knob keeping pressure on the two insert halves and install the two #4 x 3/8" thread forming screws into the two remaining holes. **ONLY TIGHTEN THE SCREWS UNTIL THE TWO HALVES TOUCH.**



5. Position the polymer bolt knob sleeve so its internal rib aligns with the channel on the upward facing inert half - the MDT logo should be facing upwards. Press the sleeve on, lightly tapping the end with a hammer if needed. Once fully pressed in, it will be locked in place..



## WARRANTY

### What warranty does MDT provide?

- MDT offers a 100% satisfaction guarantee on all products. If you receive any of MDT product, but you are not completely satisfied, return it to MDT's central office within 30 days for a 100% refund.
- All our products come with lifetime support against defects.
- Performing modifications/alterations to the product voids all warranties, expressed or implied.

### How do I claim warranty on a MDT product?

- If you experience a problem with your MDT Rifle Chassis system, call us or initiate a service ticket through the MDT website.
- Warranty claims must show the product model, a contact email, a phone number, and a description of the problem.

### How MDT process warranty claims?

- Upon receiving the item, MDT decides whether to accept the warranty claim, and whether to repair or replace the parts, at its discretion.
- MDT accepts no responsibility for loss or damage in transit.
- MDT pays for shipping and insurance charges for the return to the owner, ONLY after accepting the warranty claim.
- If non-warranty parts or services are required, MDT provides an estimate for approval prior to performing any service.

### What are the warranty limitations?

- This warranty is exclusive and is in lieu of any and all other warranties, expressed or implied. No implied warranties of merchantability or fitness for a particular purpose are given and any and all liability for breach of any implied warranty or warranty created by law is disclaimed.
- Under no circumstances shall MDT be liable for incidental or consequential damages with respect to economic loss, injury, death or property damage, whether as a result of breach of this warranty, negligence or otherwise.

### Jurisdictional Exceptions:

- Some jurisdictions do not allow limitations on how long an implied warranty lasts, so the above limitation may not apply to you.
- Some jurisdictions do not allow the exclusion or limitation of incidental or consequential damages, so the above limitation or exclusion may not apply to you completely or in part.
- This warranty gives you specific legal rights. You may also have other rights that vary from jurisdiction to jurisdiction.

## SAFETY GUIDELINES

### 1. ALWAYS KEEP THE MUZZLE POINTED IN A SAFE DIRECTION.

Never allow your firearm to point at anything you do not intend to shoot. Always handle any firearm as if it were loaded and ready to shoot. UNLOAD ALL FIREARMS WHEN NOT IN USE. ALWAYS VERIFY. Load your firearm only when you are in the field or on the target range and ready to fire. Unload as soon as you finish shooting. Verify that the firearm is unloaded before storing and ALWAYS when you pick it up.

### 2. DO NOT RELY ON ANY MECHANICAL SAFETY.

Safety devices are not a substitute for safe handling procedures. Treat every firearm as if it can fire at any time, regardless of the safety position. Do not touch the trigger until you are ready to fire.

### 3. UNDERSTAND THE TARGET AND WHAT IS BEYOND THE TARGET.

Do not fire unless you know exactly where your shot is going, and what is beyond the expected point of impact. Never fire at a sound, a movement, or a patch of color. If you cannot see clearly what is beyond the target, DO NOT SHOOT.

### 4. NEVER SHOOT AT WATER OR AT A HARD SURFACE.

Shooting at water, rocks, or other hard surface may result in bullet fragmentation with unpredictable flight paths.

### 5. USE PROPER AMMUNITION.

The use of wrong ammunition, mixed ammunition, or improperly reloaded ammunition may result in serious injuries or death, and catastrophic damage to your firearm. Check each round before loading. If in doubt, DO NOT SHOOT.

### 6. IF THE FIREARM FAILS TO FIRE, DO NOT MOVE.

If the ammunition does not fire when you pull the trigger, stop and keep the muzzle pointed in a safe direction. Wait 15 seconds before opening the chamber. Look away from the chamber while opening it and removing the round. In semi-automatic firearms, remove the magazine before manually cycling the round. Properly discard the round immediately. DO NOT try to fire it again.

#### **7. ALWAYS WEAR EYE AND EAR PROTECTION WHEN SHOOTING.**

Wear protective shooting glasses to guard against any combustion discharges, cartridges ejection, or debris resulting from firing your firearm or firearms around you. Also, wear eye protection when you are disassembling or cleaning a firearm to guard against tensioned parts and cleaning solvents. Always use ear protection.

#### **8. VERIFY THAT ACTION AND BARREL ARE CLEAR BEFORE SHOOTING.**

Before loading your gun, inspect the action and barrel to ensure there are no obstructions such as snow, mud, excess lubricant, cleaning patches, or any other foreign material.

#### **9. LEARN THE PARTICULAR CHARACTERISTICS OF EACH FIREARM.**

Not all firearms are alike. Become very familiar with the firearm before shooting. Learn safe handling procedures for loading, unloading, carrying, shooting and storing each firearm before firing the first round.

#### **10. SHOOT SOBER!**

NEVER handle any firearm while under the influence of alcohol, drugs, or any medication that may impair your senses in any form.

#### **DISCLAIMER**

MDT SHALL NOT BE RESPONSIBLE IN ANY MANNER WHATSOEVER FOR INJURY, DEATH, OR DAMAGE TO PROPERTY AS A RESULT OF THE INTENTIONAL OR ACCIDENTAL MISUSE OF THIS PRODUCT, OR FROM ITS PROPER FUNCTION WHEN THE PRODUCT IS USED FOR PURPOSES FOR WHICH IT WAS NOT DESIGNED.