

INSTALLATION INSTRUCTIONS

LSS GEN2 LIGHT SNIPER SYSTEM



DANGER: Ensure that the firearm is safe and not loaded. Follow all rifle manufacturer recommendations for operation.



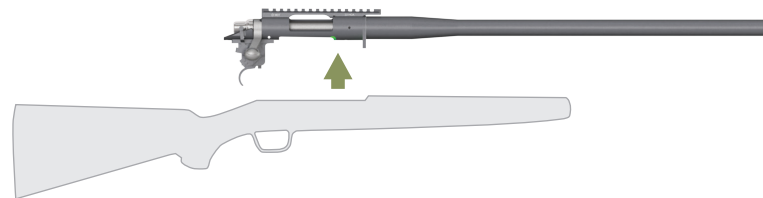
1. Remove the barrelled action from your current rifle stock.
2. Place your action into the LSS chassis and begin to secure action screws.
3. Pull the action back to ensure the recoil lug makes firm contact with the chassis.
4. Torque the supplied action screws down to 60 in-lb.
5. Test your rifle functions. (cycle bolt, fit magazine etc.)
6. Install accessories as required.

CAUTION:

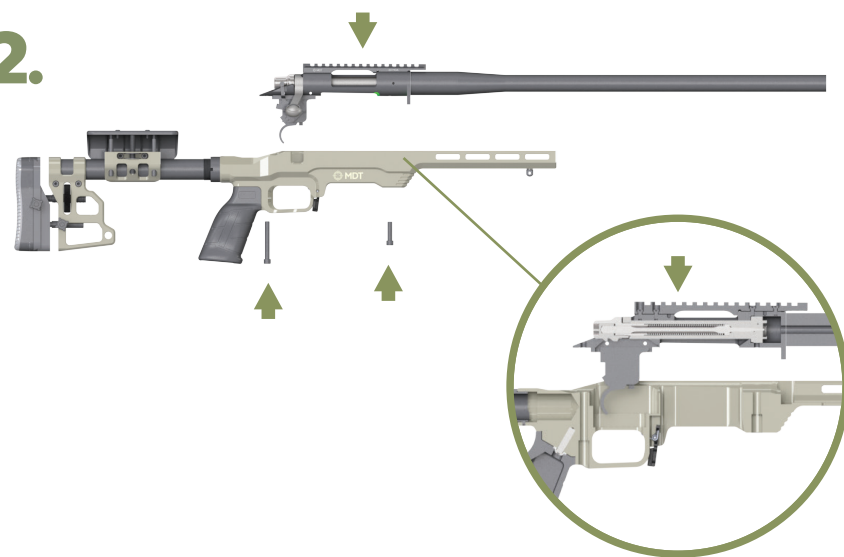
Re-torque action screws after initial use.
(Approx 100 rounds)



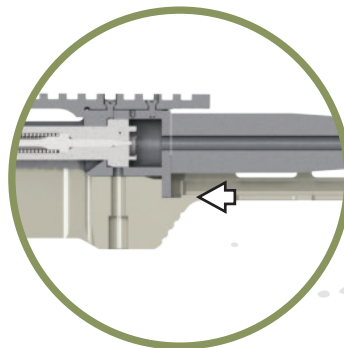
1.



2.



3.



4.



MDT