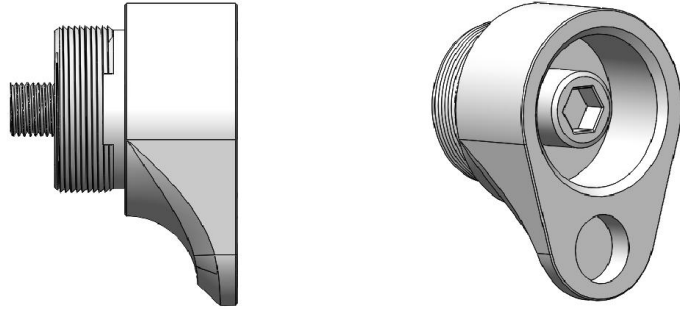


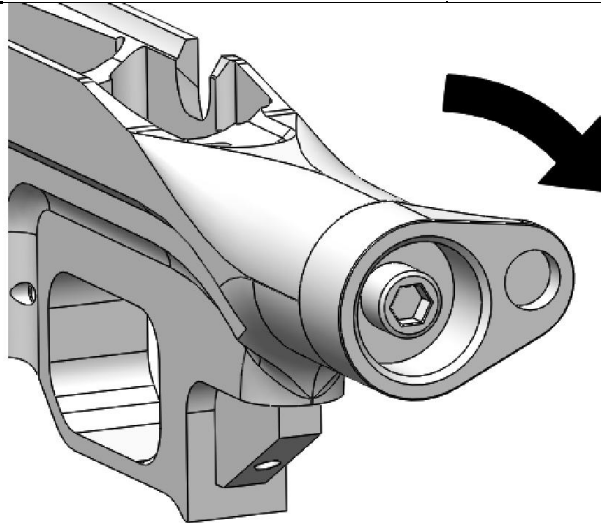
MDT Fixed Stock Adapter for LSS

Installation Instructions:

1. Hand tighten the assembly together as shown in the following diagrams:



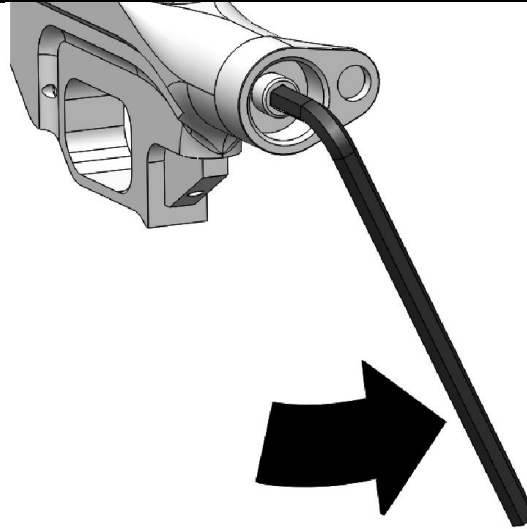
2. Thread the fixed stock adapter into the back of the LSS. Continue threading until it's unable to do so further. The adapter will not be aligned correctly at this stage.



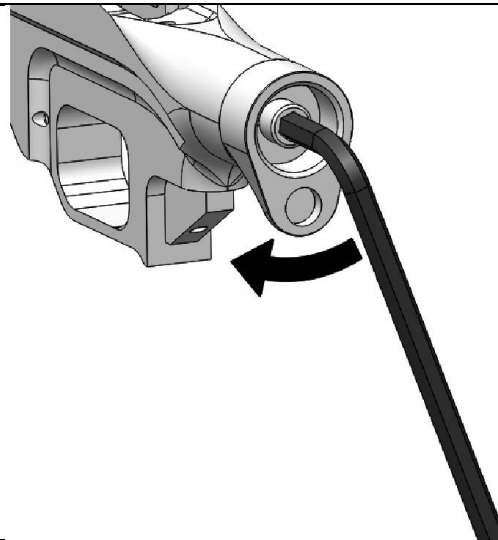
3. Insert a 5/16" Allen wrench into the adapter's bolt.



4. Turn the wrench counter-clockwise approximately 10 degrees. Doing so will relieve the threaded plug enabling you to turn the adapter to it's intended position.



5. Rotate the adapter to it's intended position as shown.



6. Turn the wrench clock-wise until the bolt is sufficiently tightened. The adapter should now be properly aligned and secure. Remove the wrench. You are now ready to install the fixed stock of your choice.

